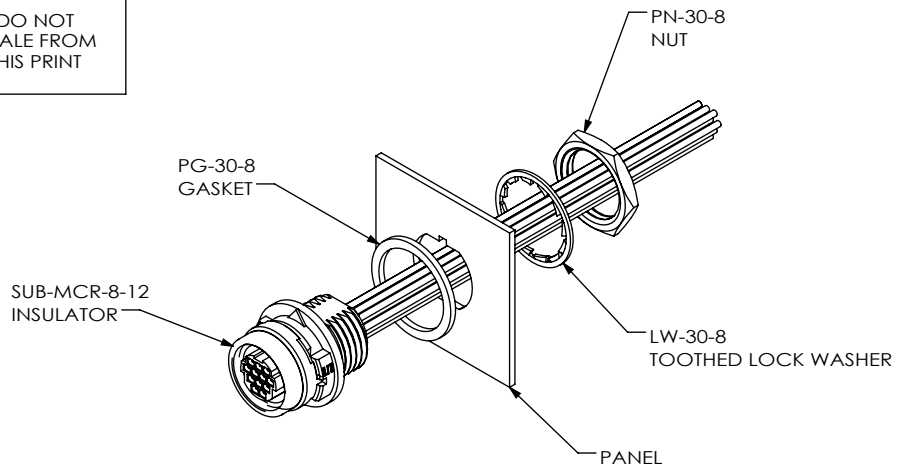
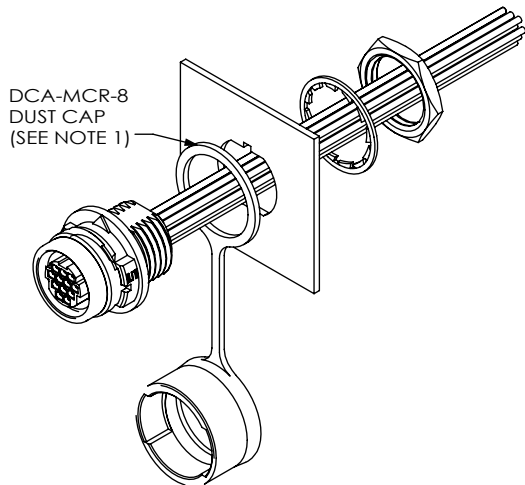


DO NOT SCALE FROM THIS PRINT



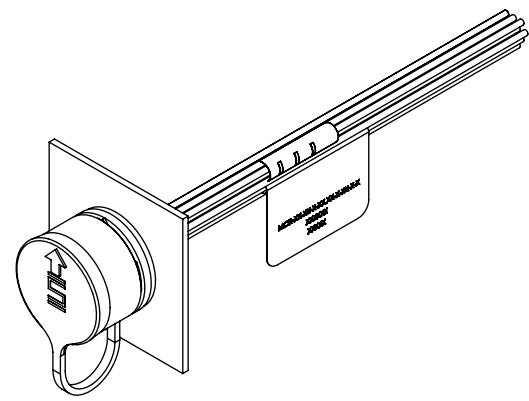
MCR-8-02-X-XX.XX-S-BC SHOWN



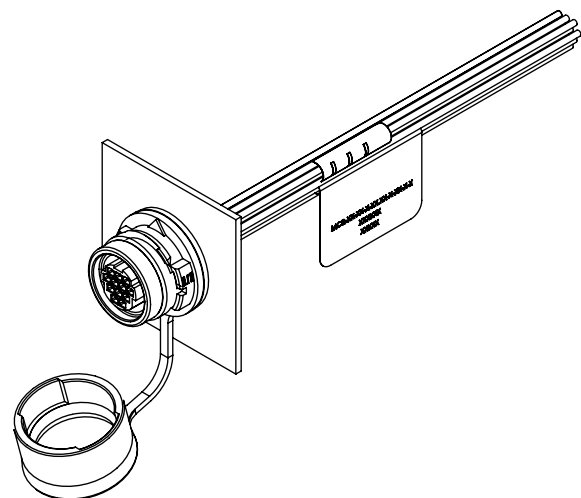
MCR-8-02-X-XX.XX-S-BC WITH DUST CAP SHOWN

NOTES:

1. WHEN USING DUST CAP (DCA-MCR-8), THE GASKET (PG-30-8) IS TO BE REPLACED WITH THE DUST CAP (DCA-MCR-8).



DUST CAP SEALED SHOWN



DUST CAP OPENED SHOWN

<p>PROPRIETARY NOTE THIS DOCUMENT CONTAINS CONFIDENTIAL AND PROPRIETARY INFORMATION AND ALL DESIGN, MANUFACTURING, REPRODUCTION, USE, PATENT RIGHTS AND SALES RIGHTS ARE EXPRESSLY RESERVED BY SAMTEC, INC. THIS DOCUMENT SHALL NOT BE DISCLOSED, IN WHOLE OR PART, TO ANY UNAUTHORIZED PERSON OR ENTITY NOR REPRODUCED, TRANSFERRED OR INCORPORATED IN ANY OTHER PROJECT IN ANY MANNER WITHOUT THE EXPRESS WRITTEN CONSENT OF SAMTEC, INC.</p>	<p>samtec 520 PARK EAST BLVD, NEW ALBANY, IN 47150 PHONE: 812-944-6733 FAX: 812-948-5047 e-Mail info@SAMTEC.com code 55322</p>
<p>DO NOT SCALE DRAWING</p>	<p>DESCRIPTION: MCR APPLICATION</p>
<p>SHEET SCALE: 1:1</p>	<p>DWG. NO. MCR WITH DUST CAP APPLICATION</p>
<p>BY: PETER D</p>	<p>01/27/2016 SHEET 1 OF 1</p>